



SPARK GAP A046

Spark Gap works protecting the secondary windings of measurement or protection current transformers (CT), preventing them from being damaged on an erroneous opening.

When the secondary voltage exceeds the value of open 2650Vrms +/- 6%, the arrester acts, protecting the CT.

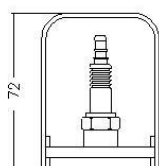
Persisting discharge, after 5-10 seconds, the spark will blow out and definitely short-circuit the CT.

So, spark plug should be replaced by a new one. Replacement is simple and fast.

The Spark Gap is fitted with 5 Spark plugs, ring-tongue terminal, enabling protection of 5 Current Transformers.

Spark Gap A046

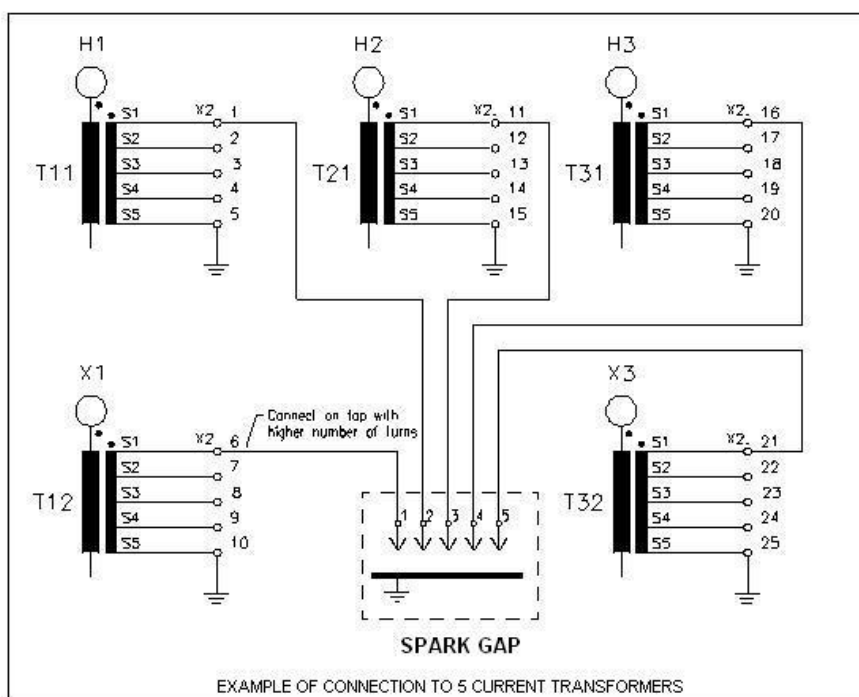
Dimensions:



Technical Data:

Nominal Voltage discharge:	2650Vrms +/- 6% (from 3500Vp)
Nominal Current discharge:	5 A
Maximum Current discharge:	6 A
Frequency:	50 / 60 Hz
Average time of operation to fuse the gap:	5 to 10s @ 5A
Degree of protection:	IP-20
Fixation:	DIN Rail TS-35
Weight:	0,5 kg

Electrical connection:



Highlights

- ✓ Works to protect the open CT secondary.
- ✓ Simple and safe.
- ✓ Easy installation.